

2 hp Cup Wheel Grinder

6" Diameter, Vertical

PD11.31R
March, 2016
Supersedes PD11.31

For Serial No. 13H1000A and Higher

Safety, Operation and Maintenance – Save This Document and Educate All Personnel

Model	Thread	Wheel	RPM	Exhaust
53233	5/8"-11	6" Dia.	6,000	Side

GRINDER



Cup Wheel
Sold Separately

Find The Most Current Offering of Support Documents and Accessories at www.Dynabrade.com

⚠ WARNING

Read and understand this tool manual before operating your air tool. Follow all safety rules for the protection of operating personnel as well as adjacent areas. Always operate, inspect and maintain this tool in accordance with the American National Standards Institute (ANSI). Safety Requirements for the Use, Care and Protection of Abrasive Wheels – ANSI B7.1, Compressed Air and Gas Institute (CAGI) Safety Code for Portable Air Tools – B186.1, Code of Federal Regulation – CFR 29 Part 1910, European Committee for Standards (EN) Hand Held Non-Electric Power Tools – Safety Requirements and applicable State and Local Regulations.



Read and understand tool manual before work starts to reduce risk of injury to operator, visitors, and tool.



Eye protection must be worn at all times, eye protection to conform to ANSI Z87.1.



Ear protection to be worn when exposure to sound, exceeds the limits of applicable Federal, State or local statutes, ordinances and/or regulations.



Practice safety requirements. Work alert, have proper attire, and do not operate tools under the influence of alcohol or drugs.



Respiratory protection to be used when exposed to contaminants that exceed the applicable threshold limit values required by law.



Air line hazard, pressurized supply lines and flexible hoses can cause serious injury. Do not use damaged, frayed or deteriorated air hoses and fittings.

Some dust created by sanding, grinding, drilling, and other construction activities contain chemicals known to cause cancer, birth defects or other reproductive harm. Some examples of these chemicals are:

- Lead from lead-based paints
- Crystalline silica from bricks and cement and other masonry products
- Arsenic and chromium from chemically treated lumber

Your risk from these exposures varies, depending on how often you do this type of work. To reduce your exposure to these chemicals: work in a well ventilated area, and work with approved safety equipment, such as those dust masks that are specially designed to filter out microscopic particles.

SAFETY INSTRUCTIONS



Carefully Read and Understand the General and Wheel Grinder sections found in Tool Safety and Operating Guidelines (PN00001676) Before Handling or Using Tool.

Carefully Read all instructions before operating or servicing any Dynabrade® Abrasive Power Tool. Products offered by Dynabrade are not to be modified, converted or otherwise altered from the original design.

Tool Intent: Cup Grinders are used to grind; metal or stone using 6" diameter, 5/8"-11 threaded Type 11 or Type 6 Grinding Wheels.

DO NOT USE Tool for Anything Other Than Its Intended Applications.

Training: Proper care, maintenance, and storage of your air tool will maximize tools performance and reduce chance for accident.

Employer's Responsibility: Provide operators with safety instructions and training for safe use of tools and accessories.

Report to Your Supervisor any Condition of the Tool, Accessories or Operation you Consider Unsafe.

MAINTENANCE INSTRUCTIONS

Important: To keep tool safe, a Preventative Maintenance Program is recommended. The program should include inspection of the tool and all related accessories and consumables, including air lines, pressure regulators, filters, oilers, etc. (refer to CAGI B186.1 for additional maintenance information). If accessory or tool breakage occurs, investigate failure to determine the cause and correct before issuing tool for work. Use the following schedule as a starting point in developing a Preventative Maintenance Program. If tool does not operate properly (RPM, vibration, start/stop) after these scheduled checks or at any time, the tool must be repaired and corrected before returning tool to use.

INSTALLATION

- To ensure long life and dependable service, use a Closed Loop Air System and Filter-Regulator-Lubricator (FRL) as diagramed below.
- Each tool should have its own dedicated hose connected to an air supply FRL. Quick disconnects should be installed at the FRL in an effort to reduce contamination into the tool. Securely affix all fittings and hose assemblies.
- It is strongly recommended that all Dynabrade rotary vane air tools be used with a Filter-Regulator-Lubricator to minimize the possibility of misuse due to unclean air, wet air or insufficient lubrication. Dynabrade recommends the following: **10681** Air Line Filter-Regulator-Lubricator — Provides accurate air pressure regulation, two-stage filtration of water contaminants and micro-mist lubrication of pneumatic components.
- Dynabrade recommends 1 drop of air lube per minute for each 20 SCFM (example: if the tool specification states 40 SCFM, set the drip rate on the filter-lubricator to 2 drops per minute). **95842** Dynabrade Air Lube is recommended.

MAINTENANCE SCHEDULE

Maintenance schedules depend on the type and style of tool. Refer to page 3 to reference symbols associated with specific maintenance items/areas. Match maintenance schedules accordingly. See page 4 for any additional maintenance information.

Note: Turbine style air motors do not require oil.

Daily (every 8 hours):

- Inspect tool and accessories for damage or broken parts. Replace items as necessary to ensure proper operation and safety.
- **O** Lubricate motor as recommended. Use **95842** Dynabrade Air Lube (10W/NR). Apply 1 drop/minute of air lube per 20 SCFM.
- Check air line pressure with a gage. (MAX. 90 PSIG or 6.2 Bar operating pressure at the air inlet of the tool.)
- **W** Lubricate wick system and right angle gears through gear case fitting. Apply 3 plunges of **95848** Gear Oil. Use **95541** Lubricant Gun (Prime lubricant gun before use).
- Check tool for proper operation: If operating improperly or demonstrates unusual vibration, the tool must be serviced and problem corrected before further use.

Every 20 Hours/Once a Week (which ever comes first):

- **G** For tools without "wick system", lubricate right angle gears through lubricant fitting. Apply 1 plunge of **95542** Grease. Use **95541** Lubricant Gun. (Prime lubricant gun before use).
- Measure RPM (speed) by setting air pressure to 90 PSIG (6.2 Bar) at tool inlet, without accessory mounted, while the tool is running. Using

tachometer, check spindle speed of the tool. Unless otherwise stated the no-load speed may not exceed the rated speed. If tool speed exceeds maximum rated RPM, service as required and correct before use.

- If tool is running too fast: look for worn, damaged or missing governor, air control rings and silencer(s). Service as required.
- If tool is running too slow: look for malfunctioning governor, clogged inlet screen, silencer(s) or air stream. Service as required.

Note: Special care must be taken when servicing governors. Refer to specific tool manual for governor instructions and/or speed control devices. Governor assemblies made from molded plastic components are non-serviceable and must be replaced.

Every 50 Hours:

- **G** Lubricate planetary gears through gear case fitting with 3 plunges of **95544** Grease. Use **95541** Lubricant Gun. (Prime lubricant gun before use).

REPAIR

- Use only genuine Dynabrade replacement parts to ensure quality. To order replacement parts, specify Model#, Serial# and RPM of your air tool.
- Mineral spirits are recommended when cleaning the tool and parts. Do not clean tool or parts with any solvents or oils containing acids, esters, ketones, chlorinated hydrocarbons or nitro carbons.
- A Motor Tune-Up Kit is available which includes high wear and medium wear motor parts.
- Air tool markings must be kept legible at all times, if not, reorder housing and replace. User is responsible for maintaining specification information.

- **O** After maintenance is performed on tool, add a few drops of **95842** Dynabrade Air Lube to the tool inlet and start the tool a few times to lubricate air motor. Verify RPM (per 20 hr maintenance schedule), vibration and operation.

HANDLING & STORAGE

- Use of tool rests, hangers and/or balancers is recommended.
- Protect tool inlet from debris (see Notice below).
- **Do Not** carry tool by air hose or near the tool throttle lever.
- Store accessories in protective racks or compartments to prevent damage.
- Follow the handling instructions outlined in the operating instructions when carrying the tool and when changing accessories.
- Protect accessories from exposure to water, solvents, high humidity, freezing temperature and extreme temperature changes.

END OF USE/DISPOSAL

When tool has reached its end of useful service, disassemble tool into its primary components (i.e. steel, aluminum and plastic) and recycle or discard per local, state and/or federal regulations as to not harm the environment.

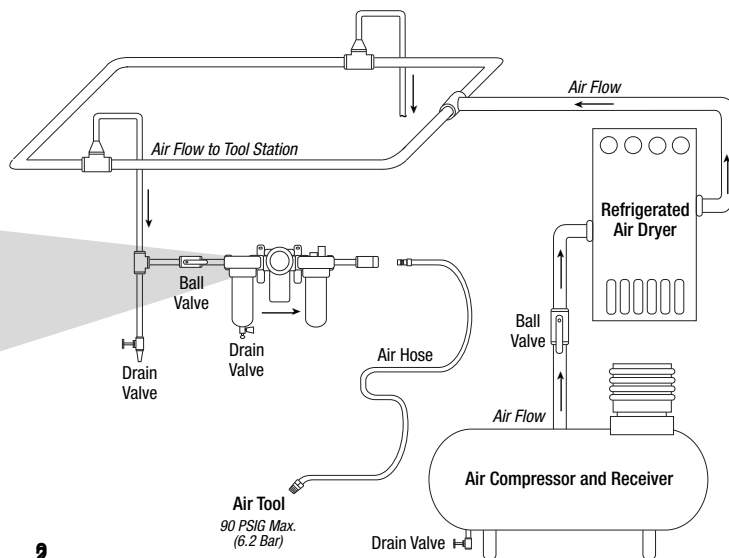
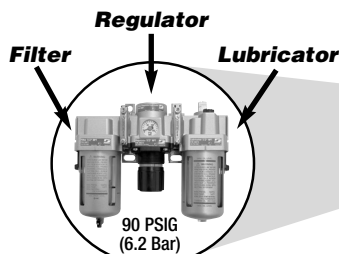
NOTICE

All Dynabrade air motors use the highest quality parts available and are manufactured to exacting tolerances. Air motor failures are often traced to lack of lubrication or unclean air supply. Compressed air can force dirt and other contaminants into motor bearings causing early failure. Contaminants can score cylinder wall and vanes resulting in reduced efficiency and power. Our warranty obligation is contingent upon proper use of our tools. Air motors which have been subjected to misuse, contaminated air or lack of lubrication will void warranty.

CLOSED LOOP AIR SYSTEM

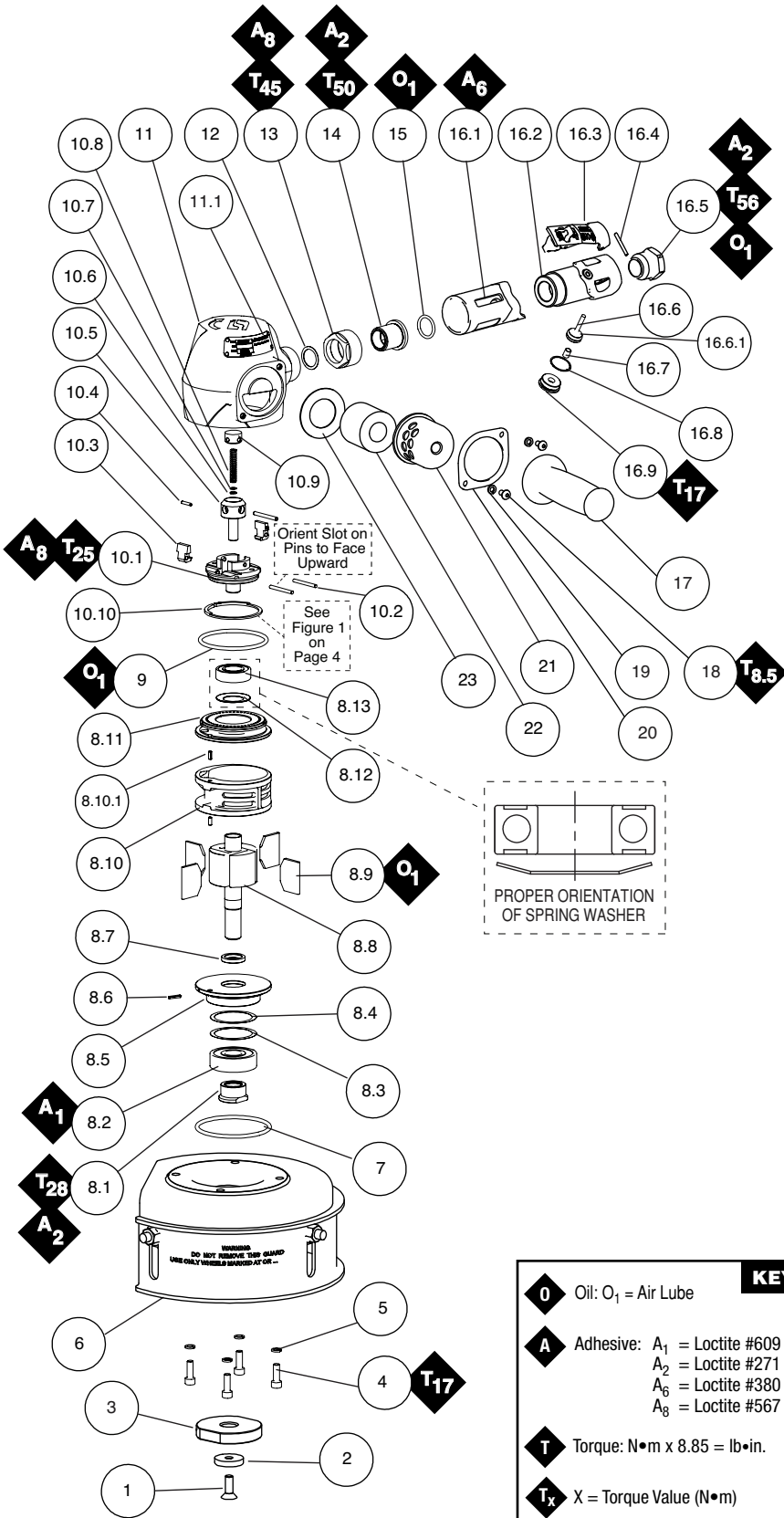
Sloped in Direction of Air Flow

- Dynabrade Air Power Tools are designed to operate at 90 PSIG (6.2 Bar) maximum air pressure at the tool inlet, when the tool is running. Use recommended regulator to control air pressure.
- Ideally the air supply should be free from moisture. To facilitate removing moisture from air supply, the installation of a refrigerated air dryer after the compressor and the use of drain valves at each tool station is recommended.



Lubricator Setting

1 Drop/Minute per 20 SCFM



ITEM	P/N	DESCRIPTION	QTY.
1	95323	SCREW	1
2	55239	RETAINING WASHER	1
3	55225	BACKUP FLANGE	1
4	50508	SCREW	4
5	95757	WASHER	4
6	55231	CUP WHEEL GUARD ASSEMBLY	1
7	95881	O-RING	1
8	02411	MOTOR ASSEMBLY	1
8.1	55224	NUT	1
8.2	01825	BEARING	1
8.3	52469	SHIM - 0.6 MM THK	AR
8.4	52470	SHIM - 1.9 MM THK	AR
8.5	55203	FRONT BEARING PLATE	1
8.6	95240	PIN	1
8.7	55223	SPACER	1
8.8	55240	ROTOR	1
8.9	55242	VANE (4/PKG)	1
8.10	55241	CYLINDER ASSEMBLY	1
8.10.1	01673	PIN	2
8.11	55202	REAR BEARING PLATE	1
8.12	55216	WASHER	1
8.13	02552	BEARING	1
9	95880	O-RING	1
10.1	55227	GOVERNOR BODY	1
10.2	95578	SLOTTED PIN	3
10.3	55213	GOVERNOR WEIGHT	2
10.4	95240	PIN	1
10.5	55206	GOVERNOR VALVE	1
10.6	95337	GOVERNOR SHIM - 0.8 MM THK	AR
10.7	95915	GOVERNOR SHIM - 0.4 MM THK	AR
10.8	55209	SPRING	1
10.9	55207	GOVERNOR CAP	1
10.10	55218	OVERSPEED SHUT-OFF RING	1
11	02426	HOUSING ASSEMBLY	1
11.1	55252	LABEL	1
12	52496	PACKING	1
13	52495	CUP NUT	1
14	52491	BUSHING	1
15	01746	O-RING	1
16	52441	THROTTLE HANDLE ASSEMBLY	1
16.1	07136	HANDLE GRIP	1
16.2	52494	THROTTLE HANDLE (INC. 07142 BUSHING)	1
16.3	01953	SAFETY LOCK LEVER	1
16.4	01017	PIN	1
16.5	01697	INLET BUSHING ASSEMBLY	1
16.6	07168	VALVE STEM ASSEMBLY	1
16.6.1	96577	O-RING	1
16.7	07145	SPRING	1
16.8	07146	PACKING	1
16.9	07147	PLUG	1
17	52169	HANDLE ASSEMBLY	1
18	96274	SCREW	2
19	01791	WASHER	2
20	52180	EXHAUST CLAMP	1
21	52164	EXHAUST COVER	1
22	55245	SILENCER	1
23	52165	GASKET	1
—	95304	WRENCH - 24 MM	1
—	98510	WRENCH - 2"	1

AR - "As Required"

LIFETIME WARRANTY

To validate Dynabrade Lifetime Warranty, you must register each tool at: www.dynabrade.com. Registration of each tool at website is required. Dynabrade will not honor Lifetime Warranty on unregistered tools. Please view the entire Lifetime Warranty Policy at : www.dynabrade.com.



MACHINE SPECIFICATIONS

Model	Speed	Power	Sound	Air Consumption	Wheel Size	Weight	Length	Height
53233	6,000 RPM	2 hp (1491 W)	83 db(A)	80 SCFM 2265 (LPM)	6" Dia.	10.5 lb. (4.7 kg)	9.5" (241 mm)	7" (178 mm)

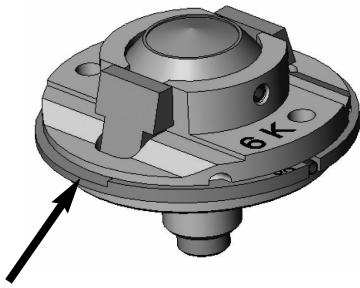
Additional Specifications: Air Inlet Thread 1/2" NPT • Hose I.D. 1/2" (13 mm)
Sound Level is the pressure measurement according to the method outlined in ISO regulation ISO-15744

OVERSPEED SHUT-OFF RING

If the tool stops suddenly or does not reach the rated tool speed, the overspeed shut-off ring may have activated, closing off the inlet air supply. The tool must be serviced to correct the problem and the overspeed shut-off ring must be properly reinstalled for safe use.

DANGER IMPROPER INSTALLATION OR SERVICING OF OVERSPEED SHUT-OFF RING MAY RESULT IN SERIOUS INJURY OR DEATH.
BEST SERVICED BY FACTORY

GOVERNOR ASSEMBLY

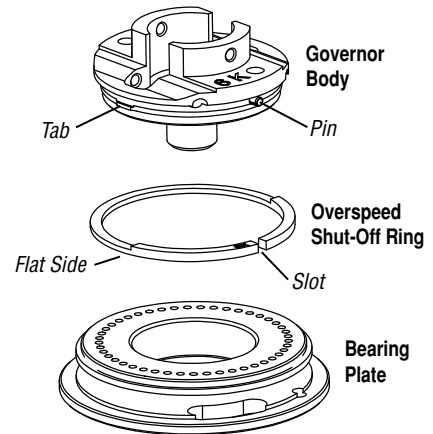


PROPER LOCATION AND ORIENTATION OF OVERSPEED SHUT-OFF RING

INSTALL SHUT-OFF RING OVER BOTH TAB FEATURES ON THE GOVERNOR BODY WITH SLOT FEATURE CENTERED ON THE PIN.

IMPORTANT: ORIENT FLAT SIDE OF SHUT-OFF RING TOWARD BEARING PLATE.

FIGURE 1



OPTIONAL ACCESSORIES



Motor Tune-Up Kit
• Includes assorted parts to help maintain and repair motor.
Part No. 96552

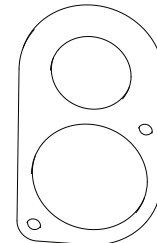


Dynabrade Air Lube

- Formulated for pneumatic equipment.
- Absorbs up to 10% of its weight in water.
- Prevents rust and formation of sludge.
- Keeps pneumatic tools operating longer with greater power and less down time.

Part No. 95842: 1 pt. (473 ml)

Part No. 95843: 1 gal. (3.8 L)



Hanger Bracket

- For use with hangers and suspension devices.

Part No. 55248

REFERENCE CONTACT INFORMATION

American National Standards Institute (ANSI)
25 West 43 Rd St., 14th Floor • New York, NY 10036 • Tel: 1 (202) 293-8020

Compressed Air & Gas Institute
1300 Sumner Ave. • Cleveland, OH 44115-2851
Tel: 1 (216) 241-7333 • Fax: (216) 241-0105

European Committee for Standardization
Rue de Stassart 36 • B - 1050 Brussels, Belgium

International Organization of Standards
Case postale 56 • CH-1211 Geneva 20
Tel: + 41 22 749 01 11 • Fax: + 41 22 749 09 47

Government Printing Office
Superintendent of Documents • Attn: New Orders
P.O. Box 371954 • Pittsburgh, PA 15250-7954
Tel: 1 (202) 512-1803

DYNABRADE, INC.

www.dynabrade.com

8989 Sheridan Drive • Clarence, NY 14031-1419 • Phone: 716-631-0100 • Fax: 716-631-2073 • International Fax: 716-631-2524
©DYNABRADE, INC., 2016

